

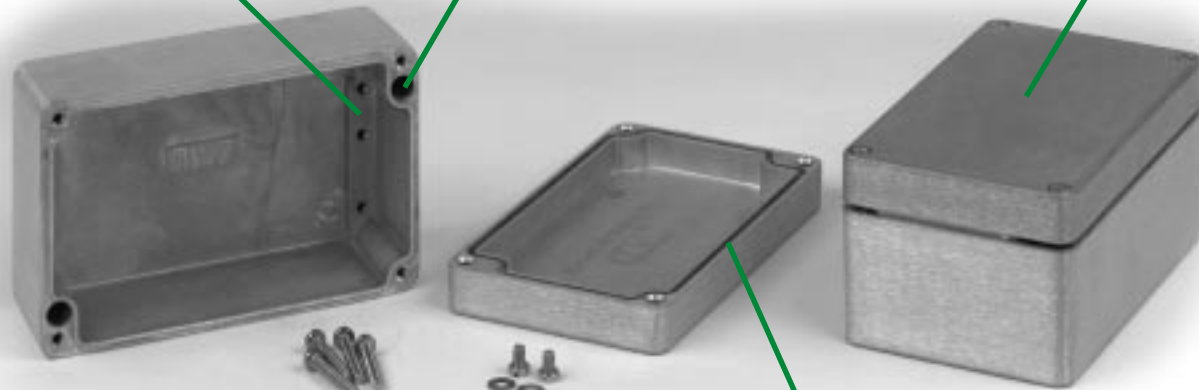
# Watertight, heavy duty - thick wall (1590Z Series)

## With Mounting Shelf

Mounting shelf

Easy wall mounting via "through box - blind hole" construction, outside of gasket protection...

Natural aluminum with a smooth brushed finish...



Stainless steel captivated machine screws ...

Copper ground screws & washers...

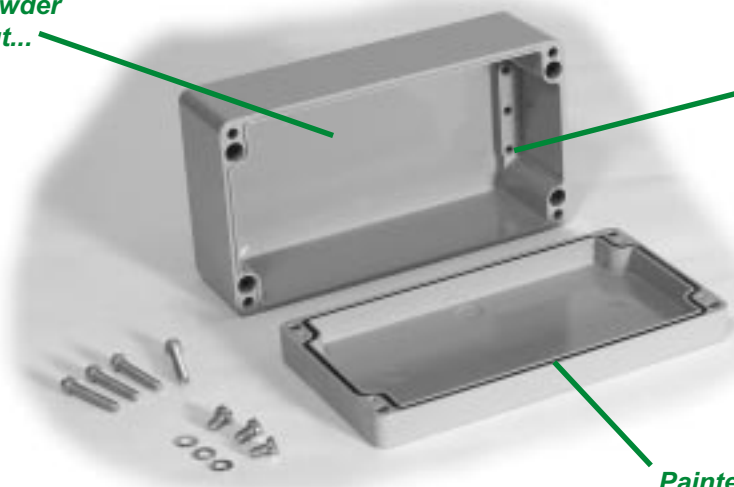
Molded, one piece silicone rubber gasket mounts into cast lid groove, compressed by box tongue...

### KEY FEATURES

- Rugged, diecast aluminum alloy (tough yet easy to machine), electronic instrument enclosure.
- "Tongue & groove" construction to provide protection against access of dust and water. Ideal for repetitive opening and closing.
- Unpainted version comes with an installed preformed silicone rubber gasket.
- Painted versions have a poured in silicone rubber gasket.
- Four recessed stainless steel machine screws secure lid into tapped holes. Screws are self capturing.
- Designed to meet IP65.
- North American Mark of Safety - cUL & UL listed. Certified to Nema 4X standards (UL508) - File #E65324.
- Painted version is designed for outdoor applications, painted inside and out with a tough polyester powder paint. Choice of grey (RAL 7001) or black.

Painted versions are powder painted inside and out...

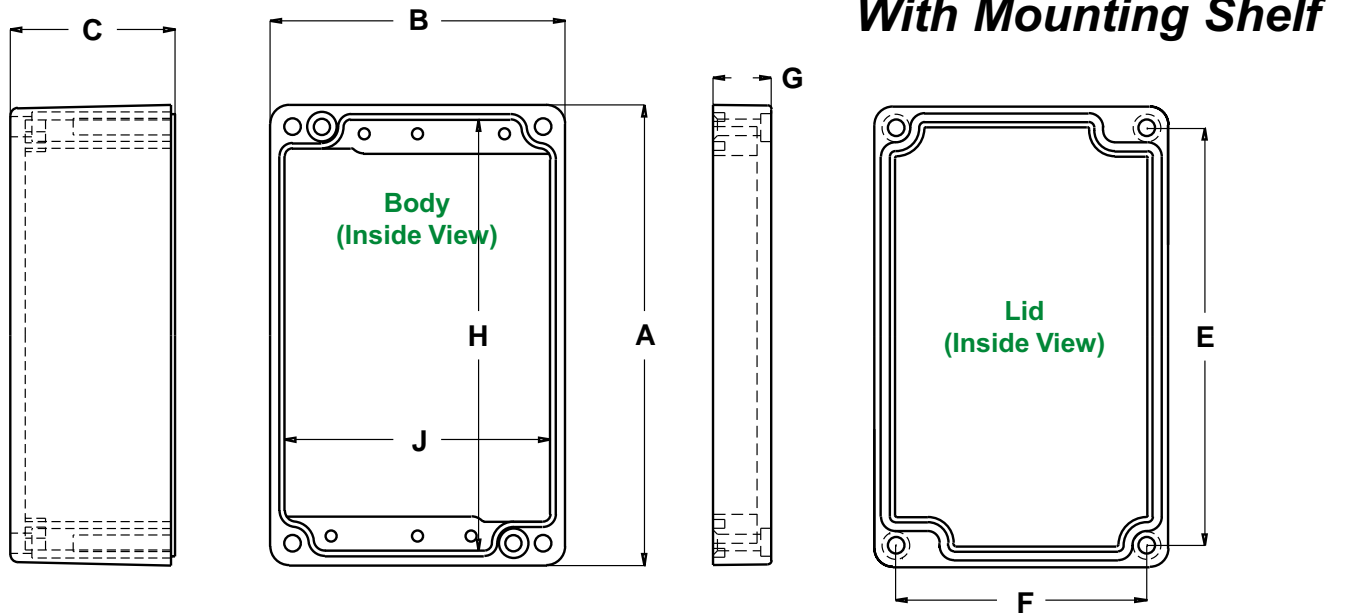
Ground points are left unpainted...



Painted versions include a poured in silicone rubber gasket...



# Watertight, heavy duty - thick wall (1590Z Series)

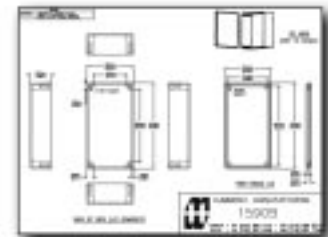
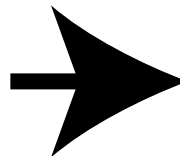


## With Mounting Shelf

Part Number			Units	Dimensions								Lid Grounding Screw	Mounting Shelf
Unpainted	Black	Grey		A	B	C (No Lid)	E	F	G	H	J		
1590Z100	1590Z100BK	1590Z100GY	inch mm	2.94 75	3.14 80	1.57 40	2.49 63	2.68 68	.47 12	2.64 67	2.84 72	No	Yes
1590Z119	1590Z119BK	1590Z119GY	inch mm	4.80 122	4.72 120	2.36 60	4.14 105	4.09 104	.80 20	4.45 113	4.36 111	Yes	Yes
1590Z120	1590Z120BK	1590Z120GY	inch mm	4.92 125	3.15 80	1.72 43	4.46 113	2.68 68	.62 15	4.61 117	2.84 72	No	Yes
1590Z160	1590Z160BK	1590Z160GY	inch mm	6.30 160	6.30 160	2.76 70	5.55 141	5.55 141	.79 20	5.98 152	5.98 152	Yes	Yes
1590Z231	1590Z231BK	1590Z231GY	inch mm	7.88 200	9.05 230	3.63 92	7.10 180	8.28 210	.80 20	7.62 194	8.45 215	Yes	Yes
1590Z150	1590Z150BK	1590Z150GY	inch mm	8.70 220	4.76 120	2.39 60	8.07 205	4.09 104	.79 20	8.31 211	4.37 111	No	Yes
1590Z162	1590Z162BK	1590Z162GY	inch mm	10.24 260	6.25 159	2.75 70	9.38 238	5.50 140	.79 20	9.83 249	5.94 151	Yes	Yes
1590Z166	1590Z166BK	1590Z166GY	inch mm	14.17 360	6.30 160	2.76 70	13.38 340	4.34 110	.79 20	13.7 349	5.87 149	Yes	Yes

Sealed Diecast

For detailed drawings, CAD files or color photos visit our website at:  
[www.hammondmg.com](http://www.hammondmg.com)



**CANADA**  
Guelph, Ontario (519) 822-2960  
St. Laurent, Quebec (514) 343-9010  
**USA**  
Cheektowaga, NY (716) 651-0086

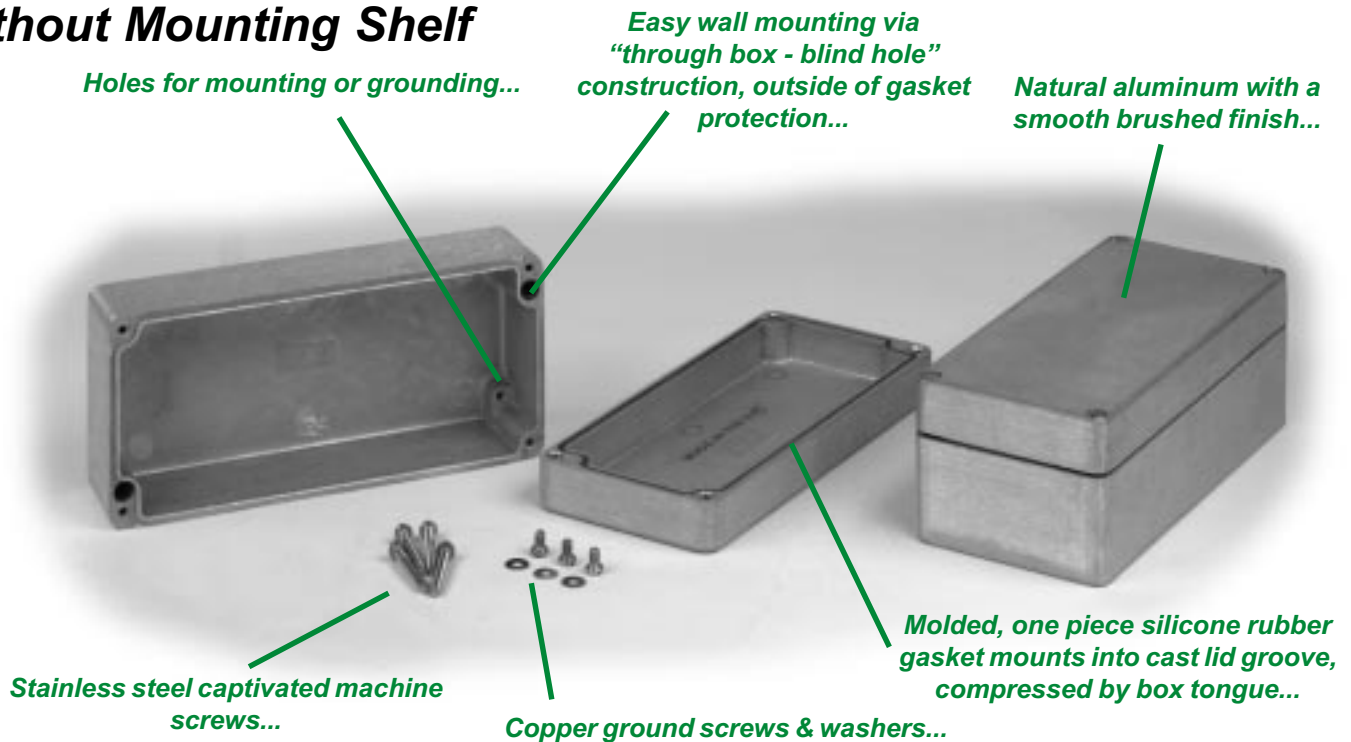
[www.hammondmg.com](http://www.hammondmg.com)

**EUROPE**  
Basingstoke, UK +44 1256 812812

**AUSTRALASIA**  
Queenstown, SA, Australia +61 8 8240 2244

# Watertight, heavy duty - thick wall (1590Z Series)

## Without Mounting Shelf

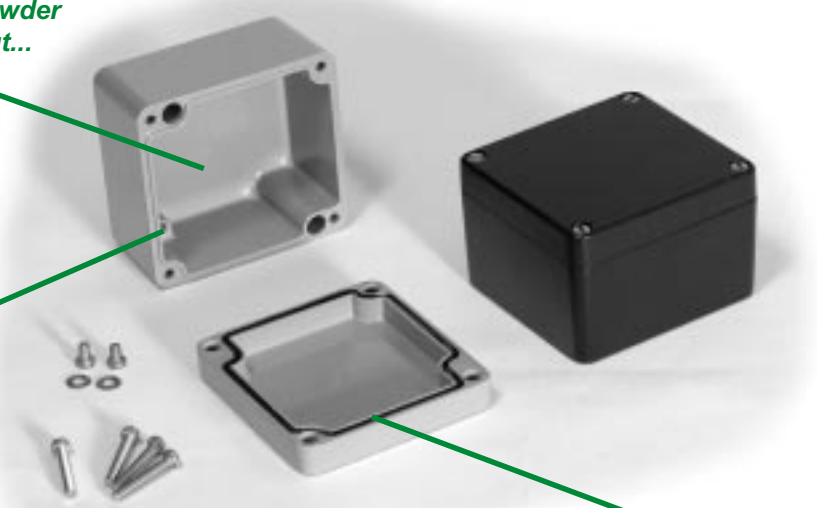


### KEY FEATURES

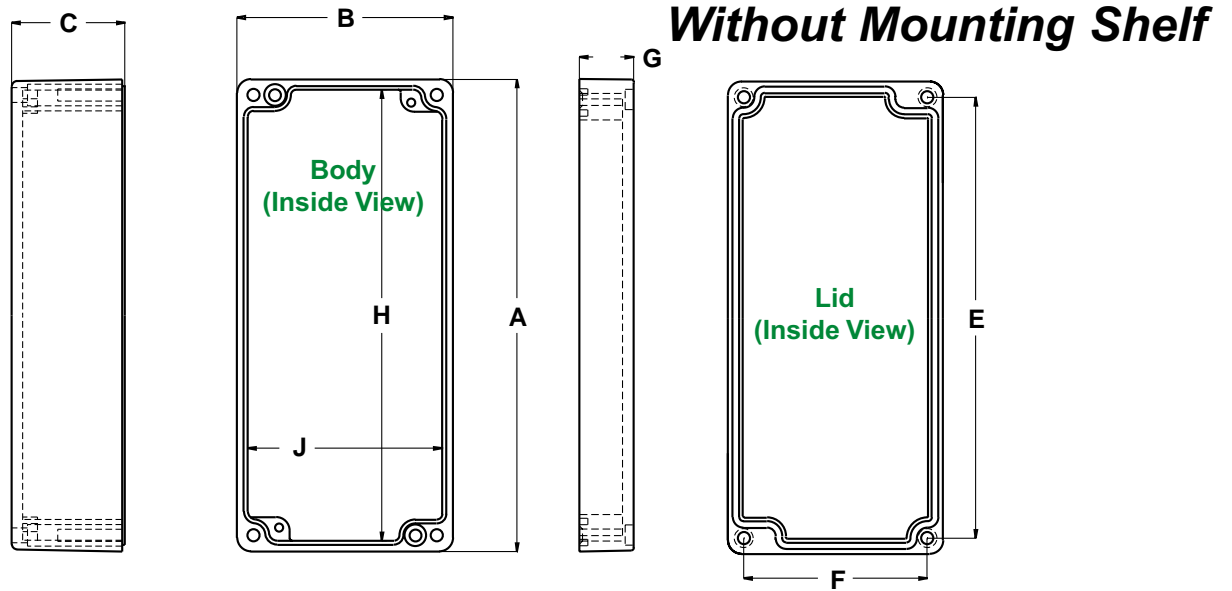
- Rugged, diecast aluminum alloy (tough yet easy to machine), electronic instrument enclosure.
- "Tongue & groove" construction provides protection against access of dust and water. Ideal for repetitive opening and closing.
- Unpainted version comes with an installed preformed silicone rubber gasket.
- Painted versions have a poured in silicone rubber gasket.
- Four recessed stainless steel machine screws secure lid into tapped holes. Screws are self captivated.
- Designed to meet IP65.
- North American Mark of Safety - cUL & UL listed. Certified to Nema 4X standards (UL508) - File #E65324.
- Painted version is designed for outdoor applications, painted inside and out with a tough polyester powder paint. Choice of grey (RAL 7001) or black

Painted versions are powder painted inside and out...

Ground points are left unpainted...



# Watertight, heavy duty - thick wall (1590Z Series)

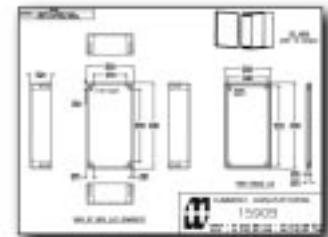
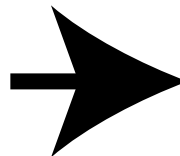


## Without Mounting Shelf

Part Number			Units	Dimensions								Lid Grounding Screw	Mounting Shelf
Unpainted	Black	Grey		A	B	C (No Lid)	E	F	G	H	J		
1590Z060	1590Z060BK	1590Z060GY	inch mm	1.98 50	1.77 45	.95 24	1.62 41	1.44 37	.24 6	1.77 45	1.57 40	Yes	No
1590Z061	1590Z061BK	1590Z061GY	inch mm	2.51 64	2.29 58	1.03 26	2.04 52	1.80 46	.39 10	2.21 56	1.97 50	No	No
1590Z110	1590Z110BK	1590Z110GY	inch mm	2.94 75	3.14 80	1.57 40	2.49 63	2.68 68	.47 12	2.64 67	2.84 72	No	No
1590Z062	1590Z062BK	1590Z062GY	inch mm	3.86 98	2.52 64	1.03 26	3.40 86	2.00 52	.39 10	3.50 90	2.20 56	No	No
1590Z063	1590Z063BK	1590Z063GY	inch mm	5.89 150	2.51 64	1.03 26	5.42 138	2.02 51	.39 10	5.60 142	2.20 56	No	No
1590Z130	1590Z130BK	1590Z130GY	inch mm	6.89 175	3.15 80	1.61 40	6.43 163	2.68 68	.47 12	6.56 167	2.84 72	No	No
1590Z135	1590Z135BK	1590Z135GY	inch mm	6.89 175	3.15 80	1.61 40	6.43 163	2.68 68	.79 20	6.56 167	2.84 72	Yes	No

Sealed Diecast

For detailed drawings, CAD files or color photos visit our website at:  
[www.hammondmg.com](http://www.hammondmg.com)



**CANADA**  
Guelph, Ontario (519) 822-2960  
St. Laurent, Quebec (514) 343-9010  
**USA**  
Cheektowaga, NY (716) 651-0086

[www.hammondmg.com](http://www.hammondmg.com)

**EUROPE**  
Basingstoke, UK +44 1256 812812

**AUSTRALASIA**  
Queenstown, SA, Australia +61 8 8240 2244